

THE ART OF LIGHTS



FlexLED

INNOVATIVE LED STRIPS FOR THE VEHICLE SECTOR



THE START OF
SOMETHING NEW

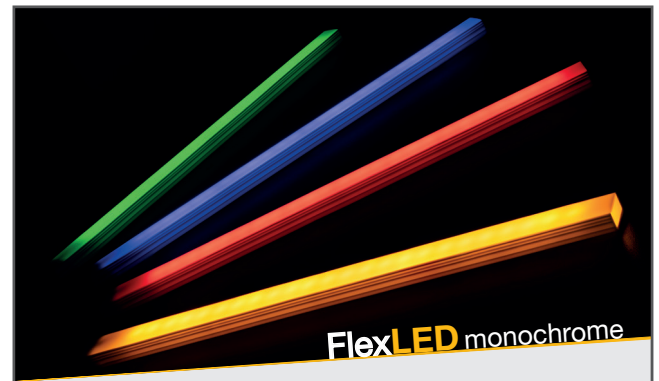
www.aspoeck.com

FlexLED_{use}



Work and ambient lighting

- » available in SMALL and MEDIUM
- » warm white to cold white
- » encapsulation: transparent or diffuse
- » light intensity: 270 lm/m to 1500 lm/m
- » light colour: 2700 K to 6000 K



Status display and special lighting

- » available in SMALL, MEDIUM and LARGE
- » unicolour
- » encapsulation: transparent or diffuse
- » light colour: red, green, yellow, blue - further colours on request



Status display

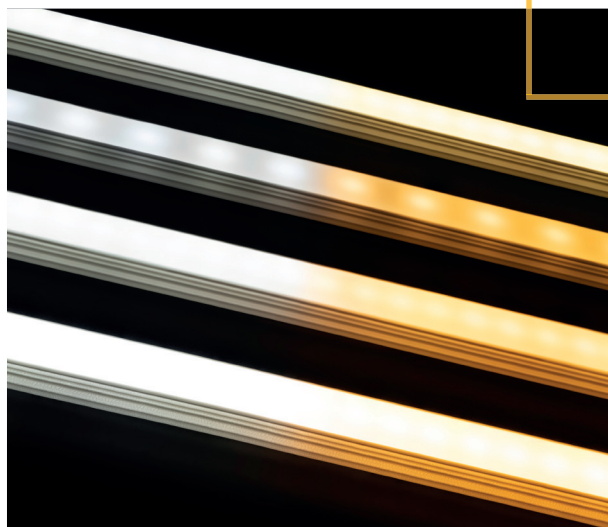
- » available in SMALL, MEDIUM and LARGE
- » RGB, RGB/W, digital
- » encapsulation: transparent or diffuse



Tail light, 3rd stop light, position lamp

- » available in LARGE
- » light colour: red, yellow, white
- » encapsulation: diffuse

FlexLED



Future-proof LED technologies merged with a high design factor. Innovative vehicle lighting increasingly has to take the outer appearance into account as well as the aspect of safety. Aspöck FlexLED has picked up on this trend and combined it with a system solution. Whether in the passenger compartment or on the loading area - Aspöck Systems offers you the perfect solution for your application.

IP6K9K

Protection classification



Can be homologated



ADR-capable

ECE R10

Electromagnetic compatibility

CISPR class3

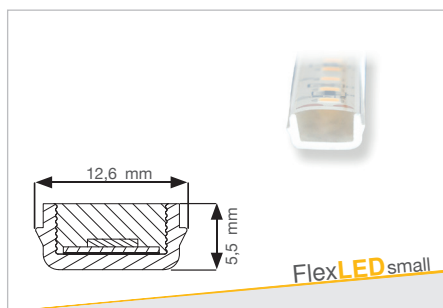
51g shock

Shock and vibration-resistant

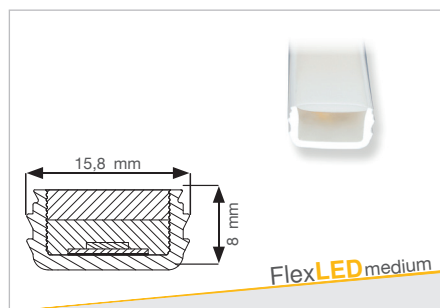
10-2000Hz vibration



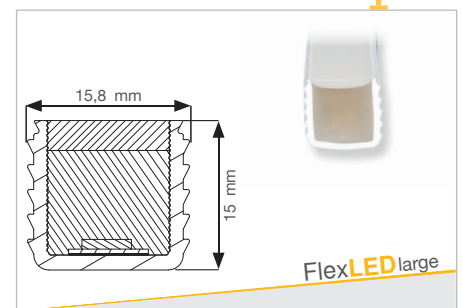
Resistant to chemicals



FlexLED small



FlexLED medium



FlexLED large

FlexLED small



FlexLEDsmall transparent

FlexLEDsmall impresses customers with a high light intensity within the smallest possible installation space. Almost every angle of the vehicle can be perfectly illuminated, both inside and out.

- » **space-saving**
- » **compact**
- » **small bend radius of 10 cm**

FlexLEDmedium



FlexLEDmedium transparent & diffuse

Various version and installation possibilities characterise the LED-Band FlexLEDmedium. This permits its use in a wide range of applications. In contrast to the FlexLEDsmall and FlexLEDlarge, the MEDIUM version of the strips can be installed in different ways using profiles.

- » universal in use (from interior light to status display)
- » system solution with brackets
- » concealed cable routing possible



Interior lighting, truck trailer

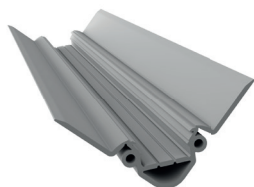


linear working lamp, fire engine

FlexLEDprofile

The use of different profiles offers a maximum of flexibility, and thus expands the range of applications for FlexLEDmedium strips. The profiles are offered in the colours light grey and black for ideal integration. In addition, covers provide a closed surface which protects against water and contamination.

45° corner profile



ramp profile



flat profile



FlexLEDlarge



FlexLEDlarge diffuse

FlexLEDlarge fulfils customers' requests for a striking design. The thickness and robustness of the band permit highly flexible use, whether as a signal light on self-propelled machines or as a third brake light on the vehicle.

- » light function can be homologated
- » robust design, for example against stone impact



Exterior lighting, caravan



3rd brake light truck trailer

FlexLEDplug connectors & accessoires

FlexLED strips can be used with all conventional plug connectors, and can therefore be combined with the familiar Aspöck systems. The specially-developed Aspöck Illufit touch switch or PIR motion sensor round off this user-friendly package.

DT-connector 2 pin



Aspöck single wire connector



AMP superseal 2 pin



Aspöck Illufit



- » DC and P&R on housing
- » electrical contact through DC or P&R pliers
- » can be easily integrated into existing wiring
- » status display (ON/OFF)
- » protected against polarity reversal, bi-directional

THE ART OF LIGHTS



Aspöck Systems GmbH

Enzing 4 | 4722 Peuerbach | AUSTRIA

Tel.: +43 72 76 / 26 70-0

E-Mail: office@aspoeck.com | www.aspoeck.com



10-0342-017
ASP_imagefolder_FlexLED_EN_082022
Printing errors, technical changes
as well as picture changes reserved.
© Aspöck Systems GmbH

